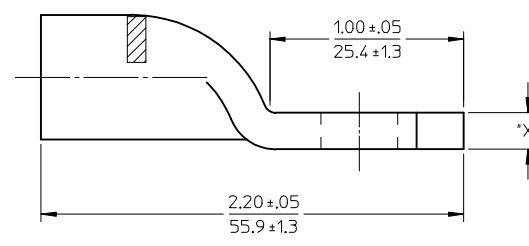
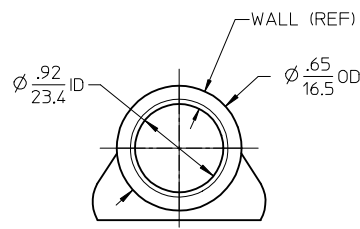
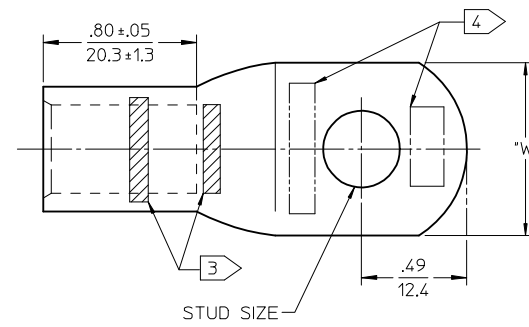


CABLE GAUGE	COLOR CODE	WALL THICKNESS (B)	"X" DIMENSION (B)	MATERIAL NUMBER				(B) "W"±.03(0.8)			
				STUD SIZE				1/4"	5/16"	3/8"	1/2"
				1/4"	5/16"	3/8"	1/2"				
8	GREY	.095(2.41)	.19(4.83)	I922 I0064	I922 I0065	I922 I0066	-----	.56(14.2)	.71(18.0)	.71(18.0)	-----
6	GREY	.065(1.65)	.13(3.30)	I922 I0059	I922 I0060	I922 I0061	-----	.55(14.0)	.76(19.3)	.74(18.8)	-----
4	GREY	.065(1.65)	.13(3.30)	I922 I0055	I922 I0056	I922 I0057	I922 I0058	.57(14.5)	.75(19.1)	.75(19.1)	.75(19.1)
1 & 2	PINK	.085(2.16)	.17(4.32)	I922 I0043	I922 I0044	I922 I0045	I922 I0048	.80(20.3)	.80(20.3)	.80(20.3)	.80(20.3)
1/0	BLACK	.095(2.41)	.17(4.32)	I922 I0069	I922 I0070	I922 I0071	I922 I0072	.87(22.1)	.88(22.4)	.87(22.1)	.88(22.4)
2/0	ORANGE	.078(1.98)	.16(4.06)	I922 I0077	I922 I0078	I922 I0079	I922 I0080	.93(23.6)	.93(23.6)	.93(23.6)	.93(23.6)
3/0	PURPLE	.100(2.54)	.20(5.10)	I922 I0085	I922 I0086	I922 I0087	I922 I0088	1.06(26.9)	1.06(26.9)	1.06(26.9)	1.06(26.9)
4/0	YELLOW	.110(2.79)	.22(5.59)	I922 I0093	I922 I0094	I922 I0095	I922 I0096	1.14(29.0)	1.14(29.0)	1.14(29.0)	1.14(29.0)



SALES DRAWING

NOTE(S):  
 1. MATERIAL: COPPER.  
 2. FINISH: TIN PLATED.  
 (B) 3 TERMINALS COLOR MATCHED WITH CABLE AND CRIMP DIES.  
 (B) 4 COLOR CODE, LETTER CODE AND CABLE SIZE STAMPED LOCATION.

<b>FIXED DIMENSIONS</b> EC NO: ETC2005-0098 DRW:DMYRICK 2004/12/13 CHK:RDEROSS 2004/12/13 APPR:RDEROSS 2004/12/13	QUALITY SYMBOLS	GENERAL TOLERANCES (UNLESS SPECIFIED) <table border="1"> <tr> <th></th> <th>mm</th> <th>INCH</th> </tr> <tr> <td>4 PLACES</td> <td>± .---</td> <td>± .---</td> </tr> <tr> <td>3 PLACES</td> <td>± .---</td> <td>± .015</td> </tr> <tr> <td>2 PLACES</td> <td>± 0.38</td> <td>± .03</td> </tr> <tr> <td>1 PLACE</td> <td>± 0.76</td> <td>± .---</td> </tr> </table>		mm	INCH	4 PLACES	± .---	± .---	3 PLACES	± .---	± .015	2 PLACES	± 0.38	± .03	1 PLACE	± 0.76	± .---	DIMENSION STYLE <b>IN/MM</b> DRAWN BY: DMYRICK DATE: 04/12/10 CHECKED BY: RDEROSS DATE: 04/12/10 APPROVED BY: RDEROSS DATE: 04/12/10	SCALE: _____ DESIGN UNITS: INCH THIRD ANGLE PROJECTION	TITLE: <b>MAGNALUG BATTERY TERMINAL</b>
			mm	INCH																
	4 PLACES	± .---	± .---																	
	3 PLACES	± .---	± .015																	
2 PLACES	± 0.38	± .03																		
1 PLACE	± 0.76	± .---																		
MATERIAL NO. SEE CHART DOCUMENT NO. SD-19221-002 SHEET NO. 1 OF 1	MOLEX INCORPORATED		THIS DRAWING CONTAINS INFORMATION THAT IS PROPRIETARY TO MOLEX INCORPORATED AND SHOULD NOT BE USED WITHOUT WRITTEN PERMISSION																	
DRAFT WHERE APPLICABLE MUST REMAIN WITHIN DIMENSIONS		ANGULAR ± 1/2°		MOLEX INCORPORATED																
DRAFT WHERE APPLICABLE MUST REMAIN WITHIN DIMENSIONS		ANGULAR ± 1/2°		MOLEX INCORPORATED																